



**ATS Forklifts**  
 Strickledeweg 33  
 3125 AT Schiedam  
 The Netherlands

P: +31 (0)10 437 7101  
 F: +31 (0)10 437 7833  
 M: +31 (0)6 - 20 25 55 44  
 E: info@atsforklifts.nl  
 W: www.atsforklifts.nl



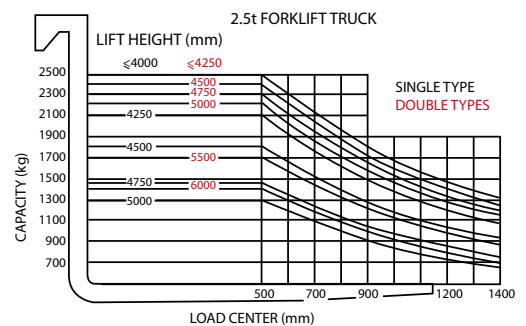
ATS

## Model CPQD 25

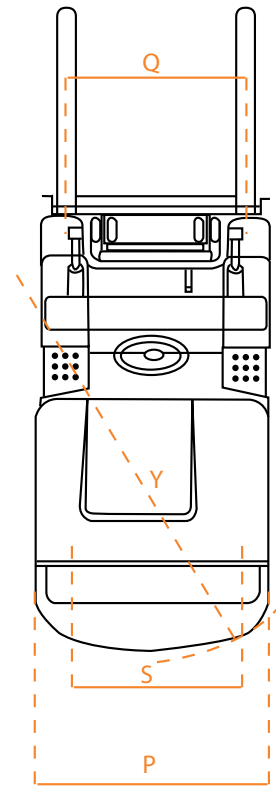
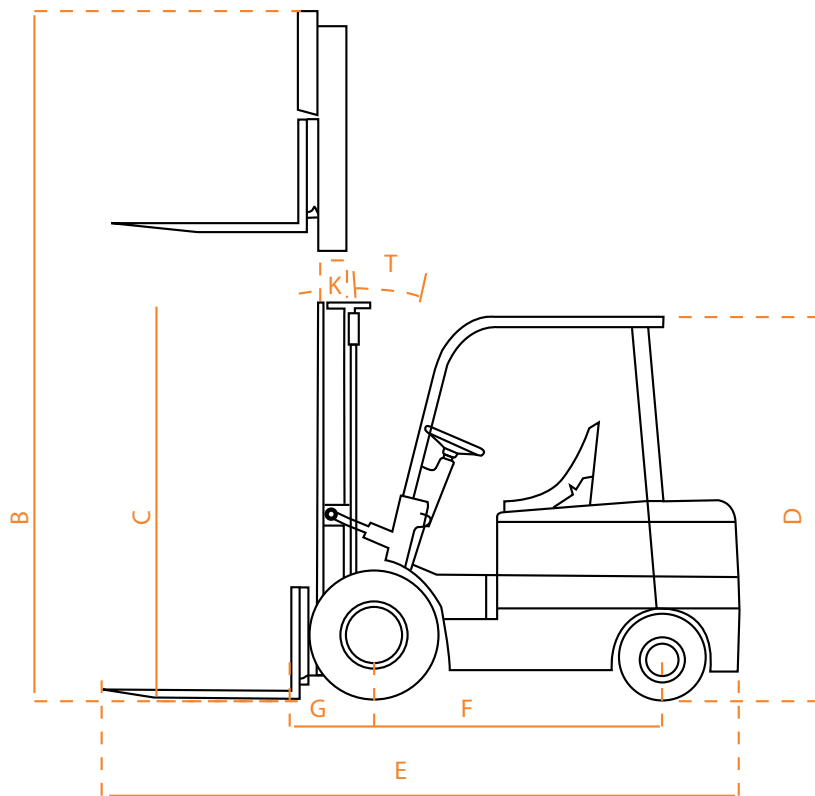
<b>Load capacity:</b>	2.5 ton
<b>Power type:</b>	LPG, Mitsubishi 37,0 kW
<b>Mast:</b>	4.5 meter, triple-mast, free lift

- Side shift
- Non-marking solid tires
- 4<sup>th</sup> valve with connection
- Backup alarm
- Adjustable seat with safety belt
- Constructed from reliable components, such as engines from Isuzu and Mitsubishi, Cascade side shift and GE electronics

### Capacity graph



**ATS, quality at a higher level!**



		Unit	Value			Unit	Value
Power type		-	LPG	Min. turning radius (Y)		mm	2240
Load capacity		kg	2500	Travel speed with/without load		km/h	17/19,5
Load center		mm	500	Lifting speed with/without load		mm/sec	570/600
Lift height		mm	3000	Max. gradeability		deg	18
Free lift height		mm	325	Service weight		kg	3680
Fork dimensions (LxWxH)		mm	1070x122x40	Tires	Front	-	7.00-12-12PR
Mast tilt angle (K/T)		deg	6/12		Rear	-	18.7-8-14PR
Front overhang(G)		mm	483	Tread	Front(Q)	mm	970
Dimensions	Total length(E)	mm	2583		Rear(S)	mm	970
	Total width(P)	mm	1150	Wheelbase		mm	1600
	Height lowered mast(C)	mm	1995	Ground clearance		mm	110
	Height extended mast(B)	mm	4030				
	Height overhead guard(D)	mm	2070				