



**ATS Forklifts**  
 Strickledeweg 33  
 3125 AT Schiedam

P: +31 (0)10 437 7101  
 F: +31 (0)10 437 7833  
 M: +31 (0)6 - 20 25 55 44  
 E: info@atsforklifts.nl  
 W: www.atsforklifts.nl

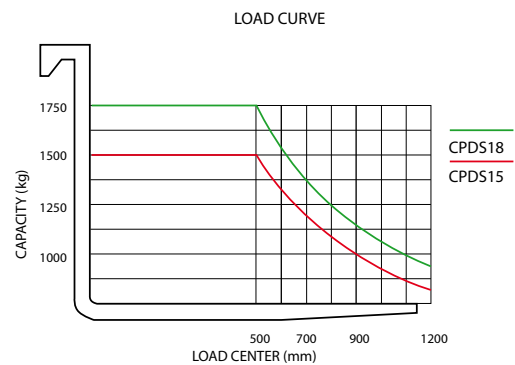


## Model CPDS 15 - 18

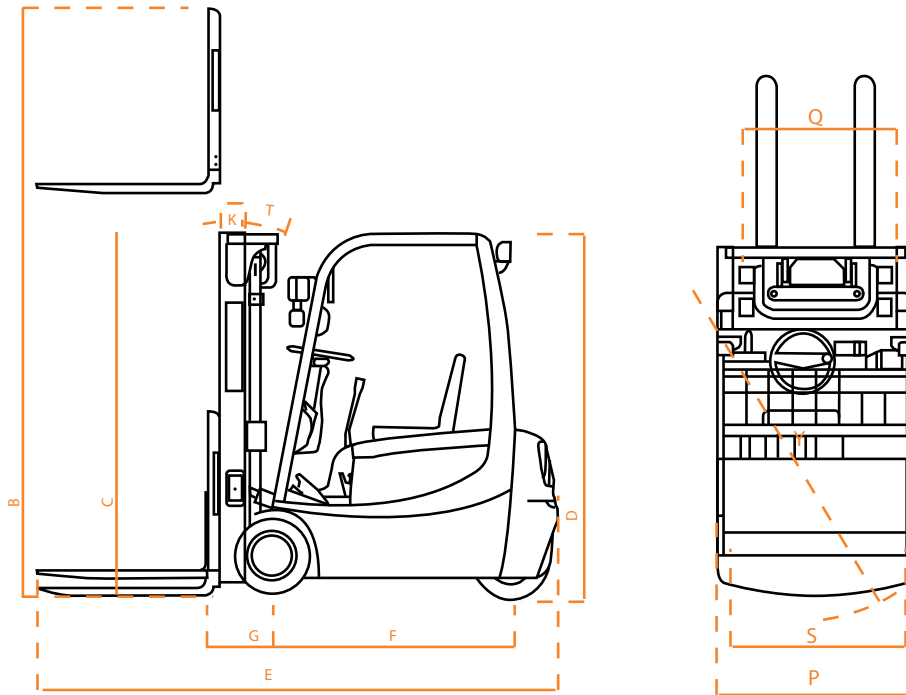
<b>Load capacity:</b>	1,5 ton - 1,8 ton
<b>Power type:</b>	Electric
<b>Mast:</b>	4 Meter, triple-mast, free lift

- Side shift
- Solid tires
- 4<sup>th</sup> valve with connection
- Backup alarm
- Adjustable seat with safety belt
- Constructed from reliable components, such as engines from Isuzu and Mitsubishi, Cascade side shift and GE electronics

### Capacity graph



**ATS, quality at a higher level!**



		Unit	CPDS15	CPDS18			Unit	CPDS15	CPDS18
Powertype		-	Elektrisch	Elektrisch	Turning radius (Y)		mm	1500	1500
Loadcapacity		kg	1500	1750	Travel speed with/without load		km/h	14/15.5	13.5/15
Loadcenter		mm	500	500	Lifting speed with/without load		mm/sec	300/470	300/470
Lift height		mm	3000	3000	Max. gradeability		%	20	20
Free lift height		mm	130	130	Service weight		kg	3100	3260
Fork dimensions (LxBxH)		mm	920 x100 x40	1070 x120 x40	Tires	Front	-	18x7-8PR	18x7-8PR
Mast tilt angle (K/T)		deg	5/7	5/7		Rear	-	16x6-8PR	16x6-8PR
Front overhang (G)		mm	360	360	Tread	Front(Q)	mm	895	895
Dimensions	Total length (E)	mm	2780	2980		Rear(S)	mm	205	205
	Total width (P)	mm	1070	1070	Wheelbase		mm	1295	1295
	Height lowered mast (C)	mm	1980	1980	Ground clearance		mm	80	75
	Height extended mast (B)	mm	3945	3945					
	Height overhead guard (D)	mm	1990	1990					