



ATS Forklifts
 Strickledeweg 33
 3125 AT Schiedam
 The Netherlands

P: +31 (0)10 437 7101
 F: +31 (0)10 437 7833
 M: +31 (0)6 - 20 25 55 44
 E: info@atsforklifts.nl
 W: www.atsforklifts.nl

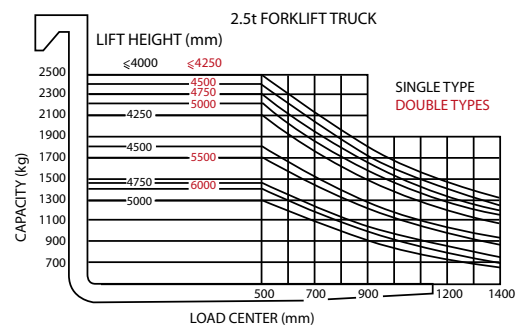


Model CPD 25

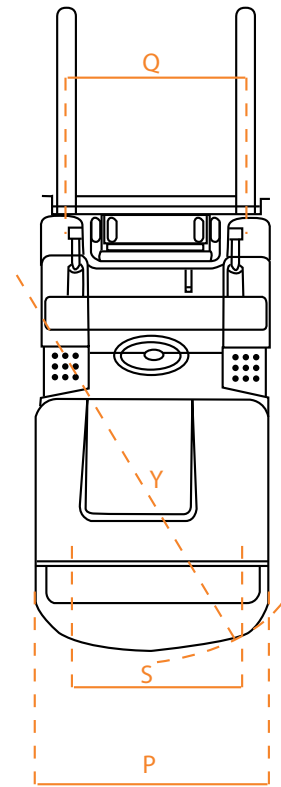
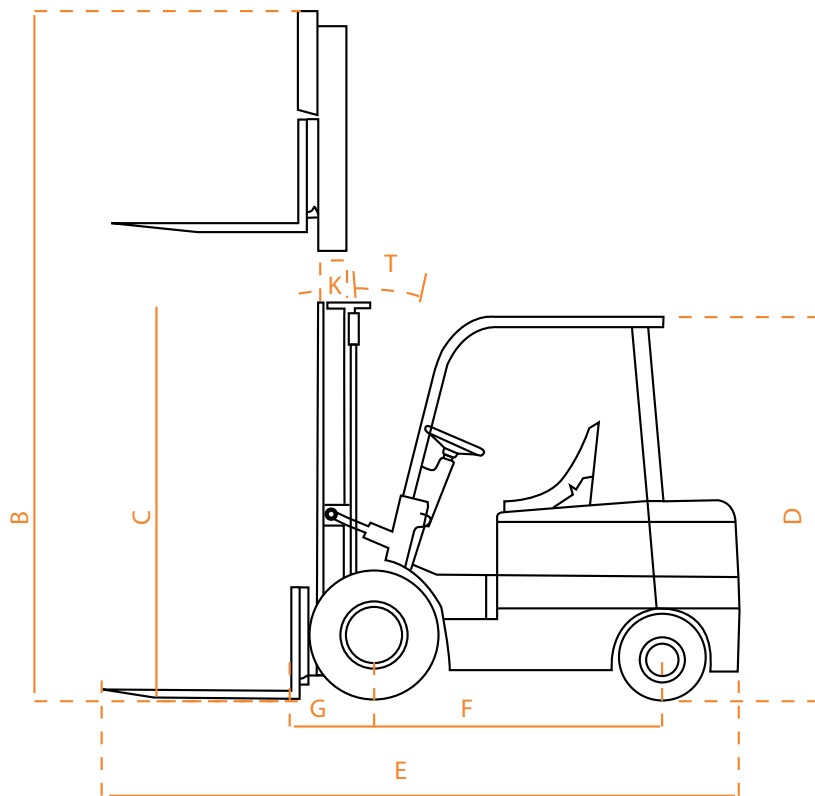
| | |
|-----------------------|-----------------------------------|
| Load capacity: | 2.5 ton |
| Power type: | Electric |
| Mast: | 4.5 meter, triple-mast, free lift |

- Side shift
- Non-marking solid tires
- 4th valve with connection
- Backup alarm
- Adjustable seat with safety belt
- Constructed from reliable components, such as engines from Isuzu and Mitsubishi, Cascade side shift and GE electronics

Capacity graph



ATS, quality at a higher level!



| | Unit | Value | | Unit | Value | | |
|-----------------------------------|--------------------------|-------------|---------------------------------------|------------------|-----------|--------------|-------------|
| Power type | - | Electric | Min. turning radius (Y) | mm | 2100 | | |
| Load capacity | kg | 2500 | Min. right angle aisle width | mm | 2150 | | |
| Load center | mm | 500 | Min. right angle stacking aisle width | mm | 3755 | | |
| Lift height | mm | 3000 | Travel speed with/without load | km/h | 12,5/13.5 | | |
| Free lift height | mm | 330 | Lifting speed with/without load | mm/sec | 235/350 | | |
| Fork dimensions (LxWxH) | mm | 1070x120x40 | Max. gradeability | deg | 10 | | |
| Fork spread (outside) min/max (W) | mm | 240/1020 | Service weight | kg | 4400 | | |
| Mast tilt angle (K/T) | deg | 6/12 | Max. drawbar pull (full load) | KN | 8 | | |
| Front overhang(G) | mm | 482 | Tires | Front | - | 7.00-12-12PR | |
| Dimensions | Total length(E) | mm | | 2412 | Rear | - | 18.7-8-14PR |
| | Total width(P) | mm | 1150 | Tread | Front(Q) | mm | 960 |
| | Height lowered mast(C) | mm | 2022 | | Rear(S) | mm | 950 |
| | Height extended mast(B) | mm | 4040 | Wheelbase | mm | 1500 | |
| | Height overhead guard(D) | mm | 2150 | Ground clearance | mm | 100 | |