



ATS Forklifts
 Strickledeweg 33
 3125 AT Schiedam
 The Netherlands

P: +31 (0)10 437 7101
 F: +31 (0)10 437 7833
 M: +31 (0)6 - 20 25 55 44
 E: info@atsforklifts.nl
 W: www.atsforklifts.nl

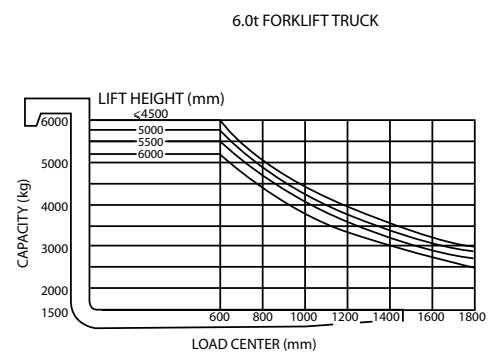


Model CPCD 60

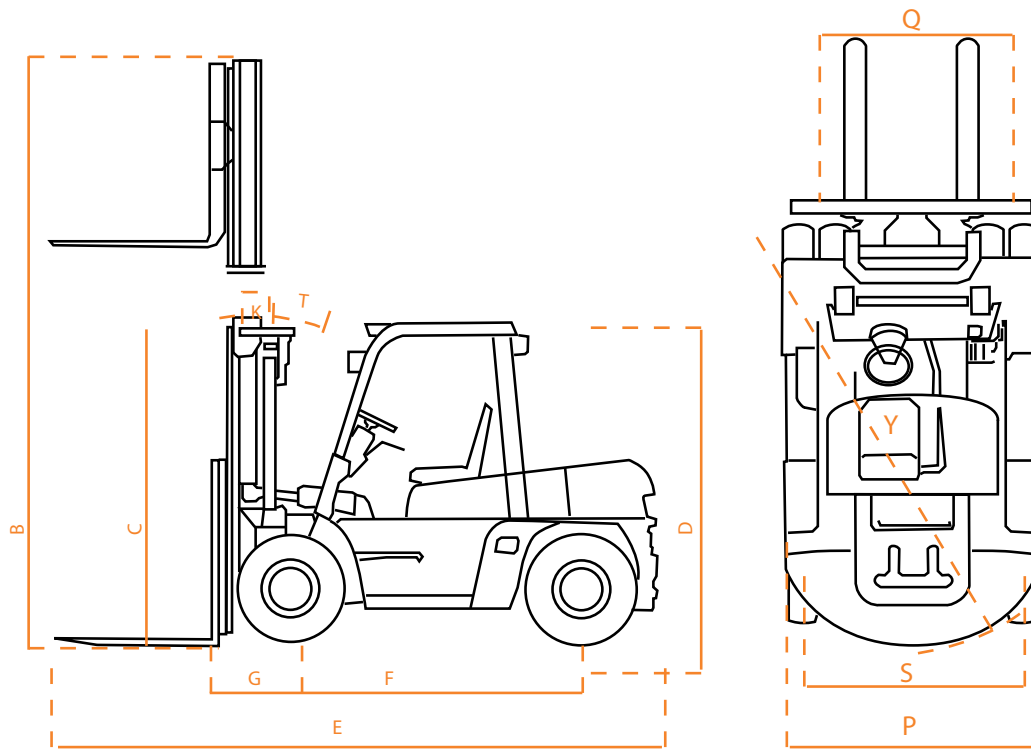
Load capacity:	6,0 ton
Power type:	Diesel Isuzu 82,3 kW
Mast:	4.5 meter, triple-mast, free lift

- Side shift
- Solid tires
- 4th valve with connection
- Backup alarm
- Adjustable seat with safety belt
- Constructed from reliable components, such as engines from Isuzu and Mitsubishi, Cascade side shift and GE electronics

Capacity graph



ATS, quality at a higher level!



		Unit	Value			Unit	Value
Power type		-	Diesel	Min. turning radius (Y)		mm	3450
Load capacity		kg	6000	Travel speed with/without load		km/h	26/28
Load center		mm	600	Lifting speed with/without load		mm/sec	330/550
Lift height		mm	3000	Max. gradeability		deg	20
Free lift height		mm	180	Service weight		kg	8840
Fork dimensions (LxWxH)		mm	1200x150x65	Tires	Front	-	8.25-15-14PR
Mast tilt angle (K/T)		deg	6/12		Rear	-	8.25-15-14PR
Front overhang(G)		mm	622	Tread	Front(Q)	mm	1470
Dimensions	Total length(E)	mm	3592		Rear(S)	mm	1700
	Total width(P)	mm	1995	Wheelbase		mm	2250
	Height lowered mast(C)	mm	2466	Ground clearance		mm	160
	Height extended mast(B)	mm	4419				
	Height overhead guard(D)	mm	2420				