



ATS Forklifts
 Strickledeweg 33
 3125 AT Schiedam
 The Netherlands

P: +31 (0)10 437 7101
 F: +31 (0)10 437 7833
 M: +31 (0)6 - 20 25 55 44
 E: info@atsforklifts.nl
 W: www.atsforklifts.nl



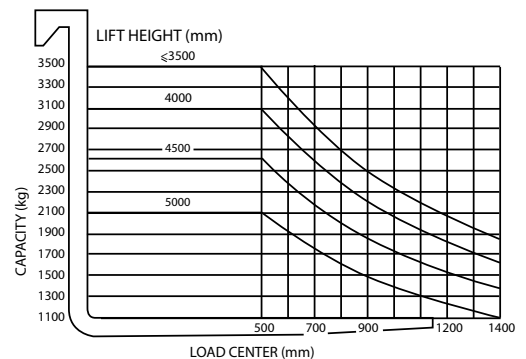
ATS

Model CPCD 35

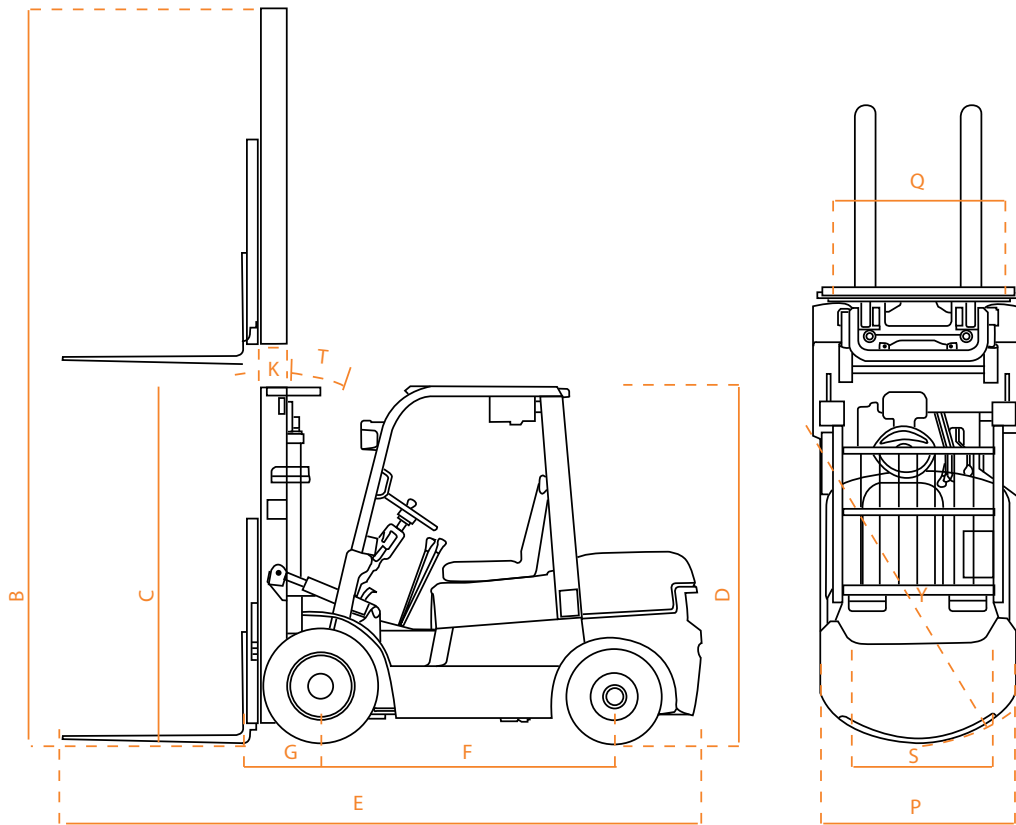
Load capacity:	3,5 ton
Power type:	Diesel Isuzu 44,9 kW
Mast:	4.5 meter, triple-mast, free lift

- Side shift
- Solid tires
- 4th valve with connection
- Backup alarm
- Adjustable seat with safety belt
- Constructed from reliable components, such as engines from Isuzu and Mitsubishi, Cascade side shift and GE electronics

Capacity graph



ATS, quality at a higher level!



		Unit	Value			Unit	Value
Power type		-	Diesel	Min. turning radius (Y)		mm	2540
Load capacity		kg	3500	Travel speed with/without load		km/h	17/19
Load center		mm	500	Lifting speed with/without load		mm/sec	360
Lift height		mm	3000	Max. gradeability		deg	15
Free lift height		mm	145	Service weight		kg	4750
Fork dimensions (LxWxH)		mm	1070x130x45	Tires	Front	-	28x9-15-14PR
Mast tilt angle (K/T)		deg	6/12		Rear	-	6.50-10-10PR
Front overhang(G)		mm	501	Tread	Front(Q)	mm	1000
Dimensions	Total length(E)	mm	2720		Rear(S)	mm	970
	Total width(P)	mm	1225	Wheelbase		mm	1700
	Height lowered mast(C)	mm	2070	Ground clearance		mm	110
	Height extended mast(B)	mm	4272				
	Height overhead guard(D)	mm	2090				