



ATS Forklifts
 Strickledeweg 33
 3125 AT Schiedam
 The Netherlands

P: +31 (0)10 437 7101
 F: +31 (0)10 437 7833
 M: +31 (0)6 - 20 25 55 44
 E: info@atsforklifts.nl
 W: www.atsforklifts.nl



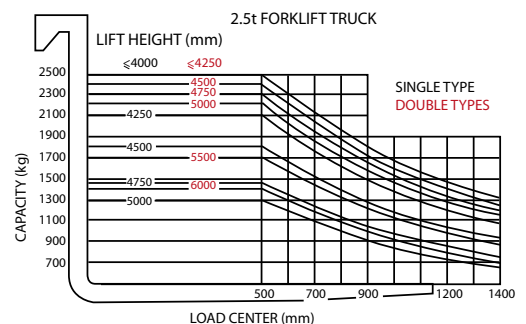
ATS

Model CPCD 25

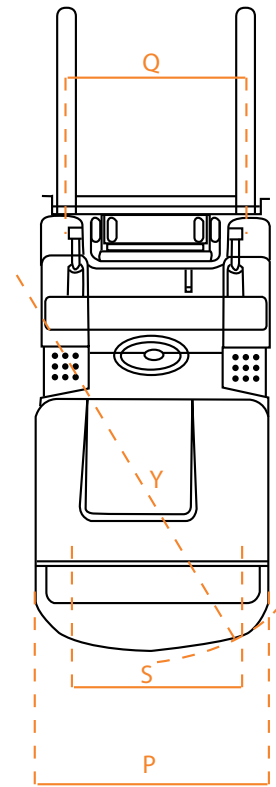
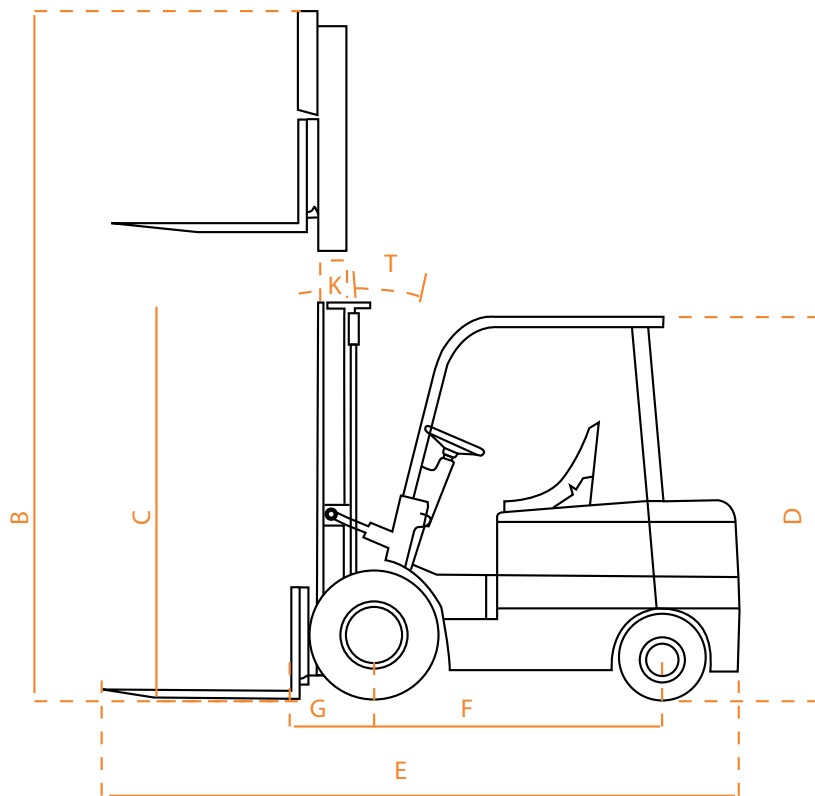
Load capacity:	2,5 ton
Power type:	Diesel Isuzu 34,5 kW
Mast:	4.5 meter, triple-mast, free lift

- Side shift
- Solid tires
- 4th valve with connection
- Backup alarm
- Adjustable seat with safety belt
- Constructed from reliable components, such as engines from Isuzu and Mitsubishi, Cascade side shift and GE electronics

Capacity graph



ATS, quality at a higher level!



		Unit	Value			Unit	Value
Power type		-	Diesel	Min. turning radius (Y)		mm	2240
Load capacity		kg	2500	Travel speed with/without load		km/h	17/19,5
Load center		mm	500	Lifting speed with/without load		mm/sec	550/580
Lift height		mm	3000	Max. gradeability		deg	18
Free lift height		mm	325	Service weight		kg	3770
Fork dimensions (LxWxH)		mm	1070x122x40	Tires	Front	-	7.00-12-12PR
Mast tilt angle (K/T)		deg	6/12		Rear	-	6.00-9-10PR
Front overhang(G)		mm	483	Tread	Front(Q)	mm	970
Dimensions	Total length(E)	mm	2583		Rear(S)	mm	970
	Total width(P)	mm	1150	Wheelbase		mm	1600
	Height lowered mast(C)	mm	1995	Ground clearance		mm	110
	Height extended mast(B)	mm	4030				
	Height overhead guard(D)	mm	2070				